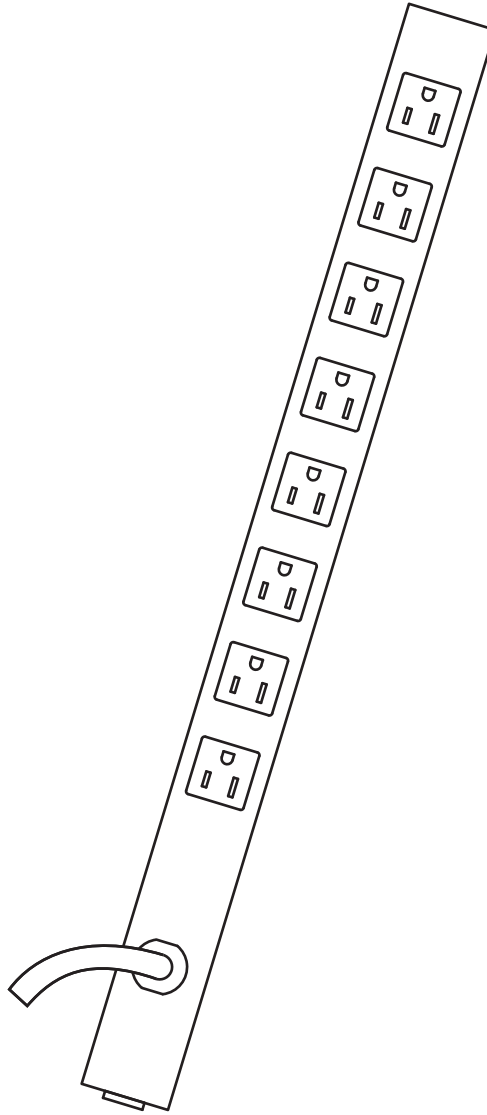


INSTRUCTION SHEET

PWR-X-V

ESSEX VERTICAL POWER STRIPS



THANK YOU

Thank you for purchasing the PWR-X-V. Please read these instructions thoroughly before installing this product.

PRODUCT FEATURES

- Value priced power specially designed for the Essex collection.
- Available with 8, 16, and 24 outlets that are spaced to accommodate AC adapters and wall-wart plugs.

PACKAGE CONTENTS

NOTE: 24 outlet models have three pieces of hardware/brackets.

<u>POWER STRIP</u>	<u>QTY</u> 1	<u>WOOD SCREWS</u>	<u>QTY</u> 2/3
<u>STANDARD POWER MOUNTING BRACKET</u>	<u>QTY</u> 2/3	<u>MOUNTING BRACKET SCREWS</u>	<u>QTY</u> 2/3
		<u>BLOCK NUT</u>	<u>QTY</u> 2/3

NOTE: The provided wood screws allows the mounting clip to be installed to a wood surface.

IMPORTANT SAFETY INSTRUCTIONS

READ AND SAVE THESE INSTRUCTIONS!
CONSERVER CES INSTRUCTIONS!

- Do not overload the wall outlet where this device is being connected. Do not overload this device. Ensure the total load to this device does not exceed that which is listed in the specifications section of this manual

Ne surchargez pas le réceptacle de mur ou le circuit qui fournit l'énergie à ce appareil. Ne pas surcharger cette appareil. S'assurer que la charge totale à cet appareil ne dépasse pas celle qui est répertoriée dans la section des spécifications de ce manuel

- Ensure this device is connected to a properly grounded AC power source. Ensure the device is plugged into a source providing the required 120V. Do not use a plug adapter that defeats the ground pin of the AC plug

Assurez-vous cet appareil est connecté à une source d'alimentation C/A avec mise à la terre. Assurez-vous cet appareil est branché sur une source d'alimentation fournissant les nécessaires 120V. Ne pas utiliser un adaptateur qui contrecarre la broche de terre de la prise du cordon d'alimentation

There are no user-serviceable components within this device. Removal of the cover from this device may present a shock hazard, and void the warranty

Il n'ya pas de composants réparables par l'utilisateur au sein de cet appareil. Retrait de la couverture de cet appareil peut présenter un danger d'électrocution et annuler la garantie

To be used indoors in a dry location only

Pour être utilisé en intérieur dans un endroit sec seulement

Do not operate with a damaged cord or plug

Ne pas faire fonctionner avec un cordon ou une prise endommagée

Clean only with dry cloth

Nettoyer avec un chiffon sec seulement



DANGER HAZARDOUS VOLTAGE/DANGER HAUTE TENSION

The lightning flash with the arrowhead symbol, within an equilateral triangle is intended to alert the user to the presence of uninsulated dangerous voltage within the product's enclosure that may be of sufficient magnitude to constitute a risk of electric shock to persons.

L'éclair avec le symbole de flèche dans un triangle équilatéral est destiné à alerter l'utilisateur de la présence d'une tension dangereuse non isolée dans l'enceinte du produit qui peut être d'une ampleur suffisante pour constituer un risque de choc électrique pour les personnes.



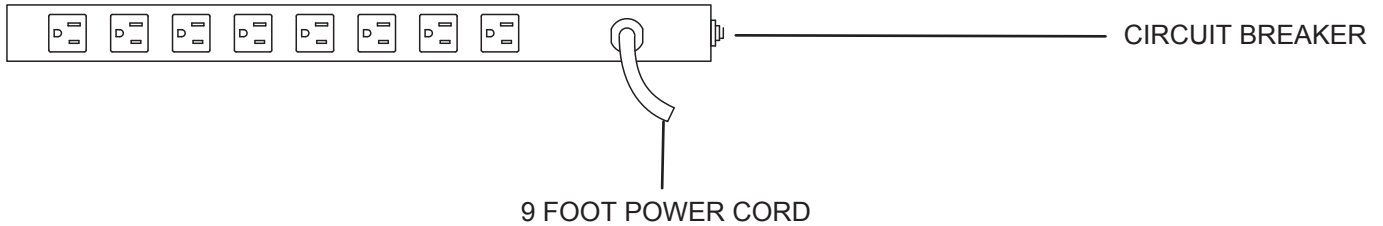
CAUTION/ATTENTION

The exclamation point within an equilateral triangle is intended to alert the user to the presence of important operating and maintenance (servicing) instructions in the literature accompanying the appliance.

Le point d'exclamation dans un triangle équilatéral est destiné à alerter l'utilisateur de la présence d'importants instructions d'opération et de maintenance (entretien) dans la documentation accompagnant l'appareil.

PRODUCT FEATURES

NOTE: Outlet quantity is model specific.



RACK INSTALLATION

RAIL BRACKET INSTALLATION

- 1) Using the provided hardware, secure the mounting bracket. (FIGURE A)
- 2) Align the power strip with mounting bracket and snap into place.

ACCESSORY BRACKET INSTALLATION

- 1) Install the accessory mounting bracket by inserting the hooks into the rectangular slots on the Essex rail. The hooks must face inside the rack (FIGURE B). The accessory mounting bracket comes with the rack.
- 2) Using the provided hardware, secure the power mounting bracket (any of the three mounting holes on the accessory mounting bracket can be used). (FIGURE B)
- 3) Align the power strip with mounting bracket and snap into place.

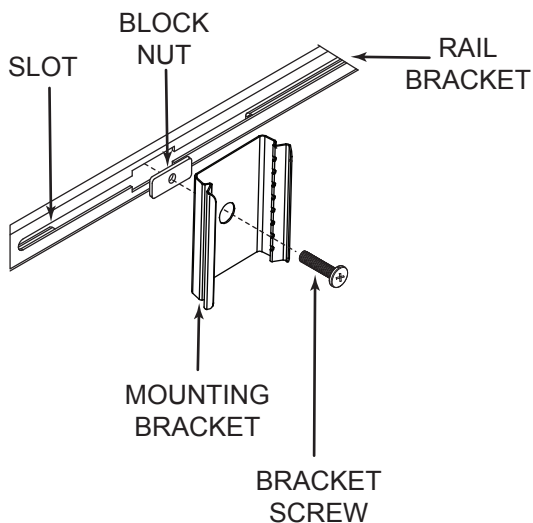


FIGURE A

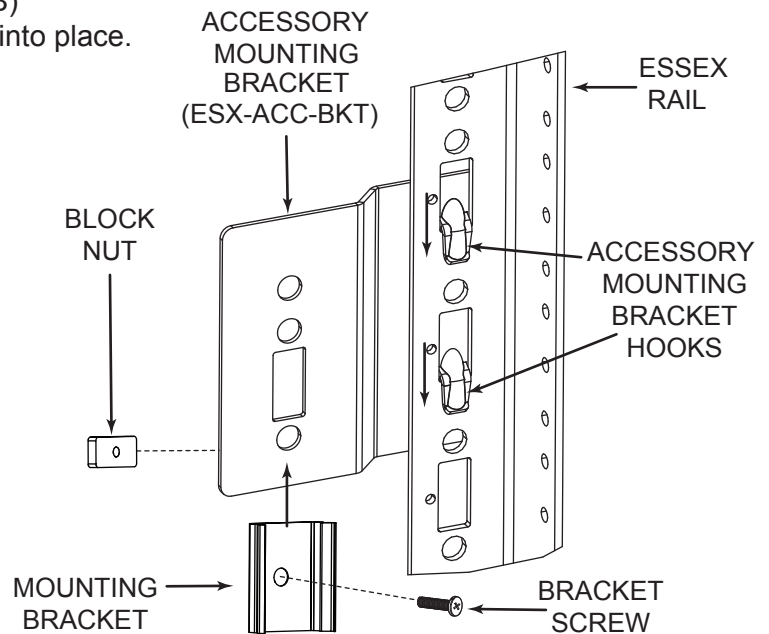
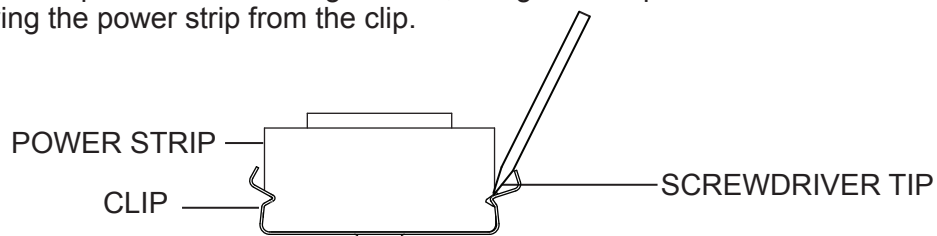


FIGURE B

TIP: To remove the power strip from the mounting bracket, wedge a flat tip screwdriver between side of power strip and clip, gently prying the power strip from the clip.



ESSEX

by Middle Atlantic

middleatlantic.com/essex ■ 800.266.7225

WARRANTY

Middle Atlantic Products, Inc. (the "Company") warrants the PWR-X-V to be free from defects in material or workmanship under normal use and conditions for a period of (3) three years from date of shipment by the Company.

The Company's entire liability to the purchaser, and the purchaser's (or any other party's) sole and exclusive remedy, under this warranty shall be limited, at the Company's option, to either (a) return of and refund of the price paid for, or (b) repair or replacement at the Company's factory of the products purchased, or any part or parts thereof, which the Company has determined to be defective after inspection thereof at the Company's factory. This warranty does not cover damage due to acts of God, accident, misuse, abuse or negligence by parties other than the Company, or any modification or alteration of the products. In addition, this warranty does not cover damage due to improper handling, assembly, installation or maintenance.

THIS WARRANTY IS IN LIEU OF ALL OTHER WARRANTIES OF ANY KIND, EITHER EXPRESSED OR IMPLIED, INCLUDING, BUT NOT LIMITED TO, IMPLIED WARRANTIES OF MERCHANTABILITY AND FITNESS FOR A PARTICULAR PURPOSE.

TO THE MAXIMUM EXTENT PERMITTED BY APPLICABLE LAW, IN NO EVENT SHALL THE COMPANY BE LIABLE FOR ANY SPECIAL, INCIDENTAL, INDIRECT, OR CONSEQUENTIAL DAMAGES WHATSOEVER (INCLUDING, WITHOUT LIMITATION, DAMAGES FOR LOSS OF BUSINESS PROFITS, BUSINESS INTERRUPTION OR ANY OTHER PECUNIARY LOSS) ARISING OUT OF THE USE OF THE PRODUCTS PURCHASED, EVEN IF THE COMPANY HAS BEEN ADVISED OF THE POSSIBILITY OF SUCH DAMAGES. THE COMPANY'S LIABILITY TO THE PURCHASER (OR ANY OTHER PARTY) HEREUNDER, IF ANY, SHALL IN NO EVENT EXCEED THE PURCHASE PRICE OF THE PRODUCTS PAID TO THE COMPANY.

Corporate Headquarters

Corporate Voice 973-839-1011 - Fax 973-839-1976 / International Voice +1 973-839-8821 - Fax +1 973-839-4982
middleatlantic.com - info@middleatlantic.com

Middle Atlantic Canada

Voice 613-836-2501 - Fax 613-836-2690 / middleatlantic.ca - customerservicecanada@middleatlantic.ca

Factory Distribution

USA: NJ - CA - IL Canada: ON - BC