

Frigidaire

Factory Parts Catalog

Product No.	GL30WC41EB	GL30WC41ES	GL36WC41EB	GL36WC41ES	PL30WC41EC	PL36WC41EC
Market	North America	North America	North America	North America	North America	North America
Color	black	white	black	white	stainless steel	stainless steel
Exhaust-CFM	400 CFM	400 CFM	400 CFM	400 CFM	400 CFM	400 CFM
Volts	120	120	120	120	120	120
Owner's Guide	628015en	628015en	628015en	628015en	628015en	628015en
Installation Instructions	628015	628015	628015	628015	628015	628015
Wiring Diagram	5995460895	5995460895	5995460895	5995460895	5995460895	5995460895



Electrolux Major Appliances
 North & Latin America
 P.O. BOX 212378
 AUGUSTA, GA 30917

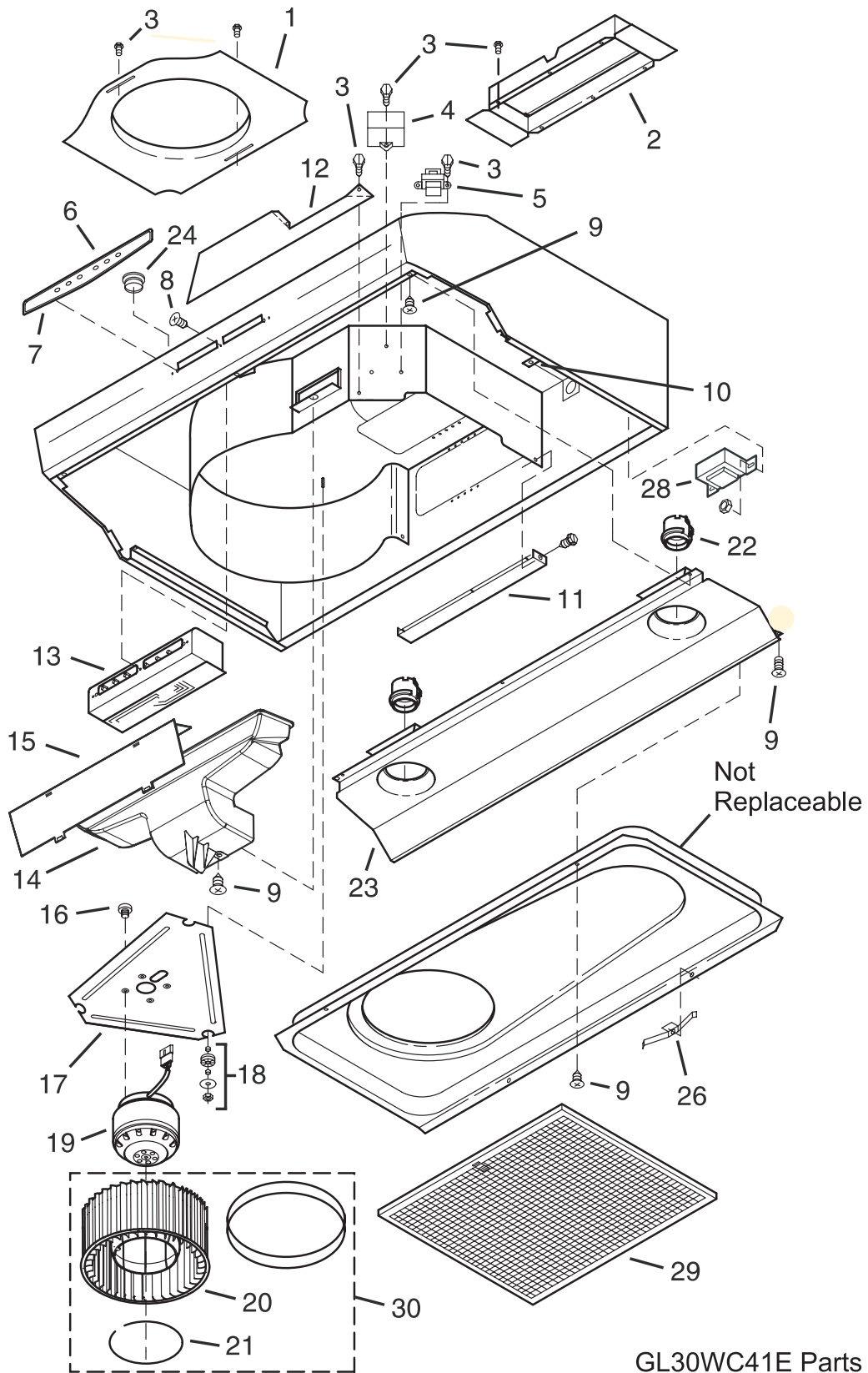
Publication No.
5995460895
 06/02/20
 (EN/SERVICE/KC)
 099

RANGE HOOD

Model No.
 GL30WC41E /
 GL36WC41E /
 PL30WC41E /
 PL36WC41E

Copyright © 2006 Electrolux Home Products, Inc.
 All rights reserved.

REPLACEMENT PARTS



REPLACEMENT PARTS

Model Index: A GL30WC41E (GL30WC41EB)
 B GL30WC41E (GL30WC41ES)
 C GL36WC41E (GL36WC41EB)
 D GL36WC41E (GL36WC41ES)
 E PL30WC41E (PL30WC41EC)
 F PL36WC41E (PL36WC41EC)

POS. NO	PART NO.		DESCRIPTION
1	5304452401	A B C D E F	Plate, round duct, 7 inch dia.
2	5304454175	A B C D E F	Connector, damper/duct
3	5304454176	A B C D E F	Screw, hex head, 8-18 x 1/4, 2-pk
4 #	5304454177	A B C D E F	Capacitor, motor, with hardware
5 #	5304454178	A B C D E F	Transformer, isolation
6	5304454179	A - C - E F	Label, control panel, black
6	5304454180	- B - D - -	Label, control panel, white
7	5304454181	A - C - E F	Control Panel, black
7	5304454182	- B - D - -	Control Panel, white
8	5304454183	A B C D E F	Screw, flat head, #6 x 1/2
9	5304454184	A B C D E F	Screw, 8-18 x 0.375
10	5304454185	A B C D E F	Screw, ground/earth
11	5304454186	A B C D E F	Cover, scroll, outlet, w/hardware
12	5304454187	A B C D E F	Cover, scroll, front, w/hardware
13 #	5304454188	A - C - E F	Control Assembly, black, w/6 & 7
13 #	5304454189	- B - D - -	Control Assembly, white, w/6 & 7
14	5304454190	A B C D E F	Chute Assembly, air, w/15-baffle
15	5304454191	A B C D E F	Baffle, air
16	5304454192	A B C D E F	Screw, M4 x 6 mm
17	5304454193	A B C D E F	Plate, motor, w/mounting kit
18	5304454194	A B C D E F	Mounting Kit, motor plate
19 #	5304454195	A B C D E F	Motor, fan, w/16-screw
20 #	5304454196	A B C D E F	Blower Wheel, fan, w/21-ring
21	5304454197	A B C D E F	Ring, retainer, blower wheel
22 #	5304454198	A B C D E F	Receptacle, lamp socket
23	5304454199	A - - - - -	Panel, lamp, 30 inch, black
23	5304454200	- B - - - -	Panel, lamp, 30 inch, white
23	5304454202	- - C - - -	Panel, lamp, 36 inch, black
23	5304454203	- - - D - -	Panel, lamp, 36 inch, white
23	5304454201	- - - - E -	Panel, lamp, 30 inch, stainless
23	5304454204	- - - - - F	Panel, lamp, 36 inch, stainless
24	5304454205	A B C D E F	Hole Plug
26	5304454206	A B C D E F	Spring Kit, filter retainerMount with 3 pop rivets -0.125 dia. Purchase locally
28 #	5304454207	A B C D E F	Transformer, auto, w/hardware
29 #	5304454208	A B - - E -	Filter, 30 inch, aluminum mesh
29 #	5304454209	- - C D - F	Filter, 36 inch, aluminum mesh
30 #	5304454210	A B C D E F	Blower Wheel Assy, non-ducted
* #	5304454211	A B C D E F	Wiring Harness
* #	5304454212	A B C D E F	Fuse, control, 10 amp
*	5304454213	A - C - - -	Nameplate, black, Gallery
*	5304454214	- B - D - -	Nameplate, white, Gallery
*	5304454215	- - - - E F	Nameplate, stainless steel, Prof.

