



# Slide-In Range

FPGS3085KF

30" Gas



## Product Dimensions

Height (Max.)	36-5/8"
Width	30"
Depth	28-5/16"

## More Easy-To-Use Features

### Pro-Select® Controls

Precise control at your fingertips.

### Keep Warm Drawer

Keep food warm until everything—and everyone—is ready.

### One-Touch Keep Warm Setting

Just one touch of a button keeps food warm until everything—and everyone—is ready.

### One-Touch Options

Our ovens feature easy-to-use one-touch buttons so you can cook pizza or chicken nuggets—or even add a minute to the timer—with the touch of a button.

### Smudge-Proof™ Stainless Steel

Reduces fingerprints and smudges so it's easy to clean.

### Delay Start

Set your oven to begin cooking on your schedule. It can be programmed from one to 24 hours.

### A.D.A. Compliant

When properly installed, this model is A.D.A.-qualified based on the United States Access Board's A.D.A./A.B.A. Accessibility Guidelines and the Department of Justice's 2010 A.D.A. Standards for Accessible Design.

Sabbath Mode (Star-K® Certified)



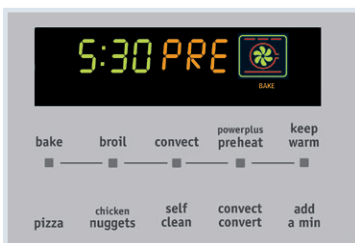
Available in:



Stainless  
(F)

Burners	BTU
Right Front	600 to 17,000
Right Rear	5,000
Left Front	9,500
Left Rear	15,000

## Signature Features



### PowerPlus® Preheat

Preheat in less than six minutes.<sup>1</sup>



### PowerPlus® Boil

Boil water fast.



### True Convection

Multi-rack baking is faster and more even with True Convection.

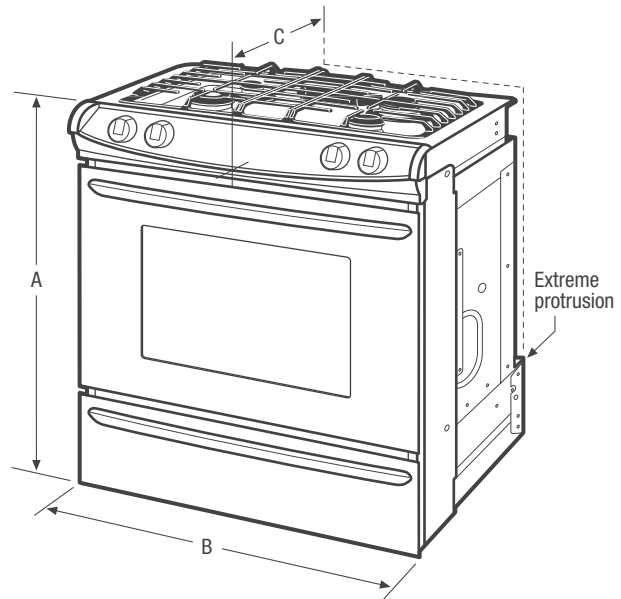


### PowerPlus® FullRange Burner

Go from a 600-BTU simmer to a 17,000-BTU boil quickly.

<sup>1</sup>Based on single rack cooking performance, not set temperature, using PowerPlus® Preheat.

Features	
Oven Control/Timing System	Pro-Select®
Surface Type	Black Porcelain
Sealed Gas Burners	Yes
Grates	Continuous Cast Iron w/Black Matte Finish
Window	Extra-Large with Pro-Tint Finish
Exterior Door Finish	Smudge-Proof Stainless Steel
Handle Design	Stainless Steel
Exterior Finish (Side Panels)	Black
Convection System	True Convection
Oven Cleaning System	Self Clean
Drawer Functionality	Warmer
Oven Controls	
Bake/Broil	Variable(170-550 °F)/ Variable(400-550 °F)
Effortless™ Convection Conversion	Yes
Convection Bake/Broil/Roast	Yes/No/Yes
PowerPlus® Preheat	Yes
My Favorite	Yes
Chicken Nugget Button	Yes
Pizza Button	Yes
Keep Warm	Yes
Add-a-Minute	Yes
Delay Start	Yes
Self Clean	Yes
Rapid Clean Option	Yes
Delay Clean	2, 3, 4 Hours
Kitchen Timer/Timed Cook Option	Yes/Yes
Auto Oven Shut-Off	6 Hours
Lower Drawer Control	Warmer, Low-Med-High
Cooktop Features	
Right Front Burner (BTU)	600 to 17,000
Right Rear Burner (BTU)	5,000
Left Front Burner (BTU)	9,500
Left Rear Burner (BTU)	15,000
Oven Features	
Capacity (Cu. Ft.)	4.2
Oven Light	2
Rack Configuration	1 Heavy Duty, 1 SpaceWise® Half Rack, 1 Effortless™
Baking System	Even Baking Technology
Broiling System	Even Broil
Bake Burner/Broil Burner (BTU)	18,000/11,500
Drawer Rack	1 SpaceWise® Half Rack
Certifications	
A.D.A. Compliant¹	Yes
Sabbath Mode (Star-K® Certified)	Yes
Specifications	
Oven Interior (H x W x D)	16-1/2" x 24-1/8" x 18-1/32"
Power Supply Connection Location	Left Bottom Rear
Gas Supply Connection Location	Right Bottom Rear
LP Gas Conversion Kit	Included
Voltage Rating	120V / 60Hz / 15A
Conn. Load (kW Rating) @ 120 Volts²	1.2
Amps @ 120 Volts	10.0
Minimum Circuit Required (Amps)	15
Shipping Weight (Approx.)	250 Lbs.



NOTE: For planning purposes only. Always consult local and national electric and gas codes. Refer to Product Installation Guide for detailed installation instructions on the web at [frigidaire.com](http://frigidaire.com).



Product Dimensions		Cutout Dimensions	
A - Height (Max.)	36-5/8"	Height (Min.) / (Max.)	35-7/8" / 36-5/8"
B - Width	30"	Width (Min.) / (Max.)*	29-15/16" / 30-1/16"
C - Depth	28-5/16"	Depth (Min.) / (Max.)**	21-3/4" / 22-1/8"
Depth with Door Open 90°	47-9/16"		

\*Cutout and countertop cutout width should match.  
\*\*24" with optional backguard installed.

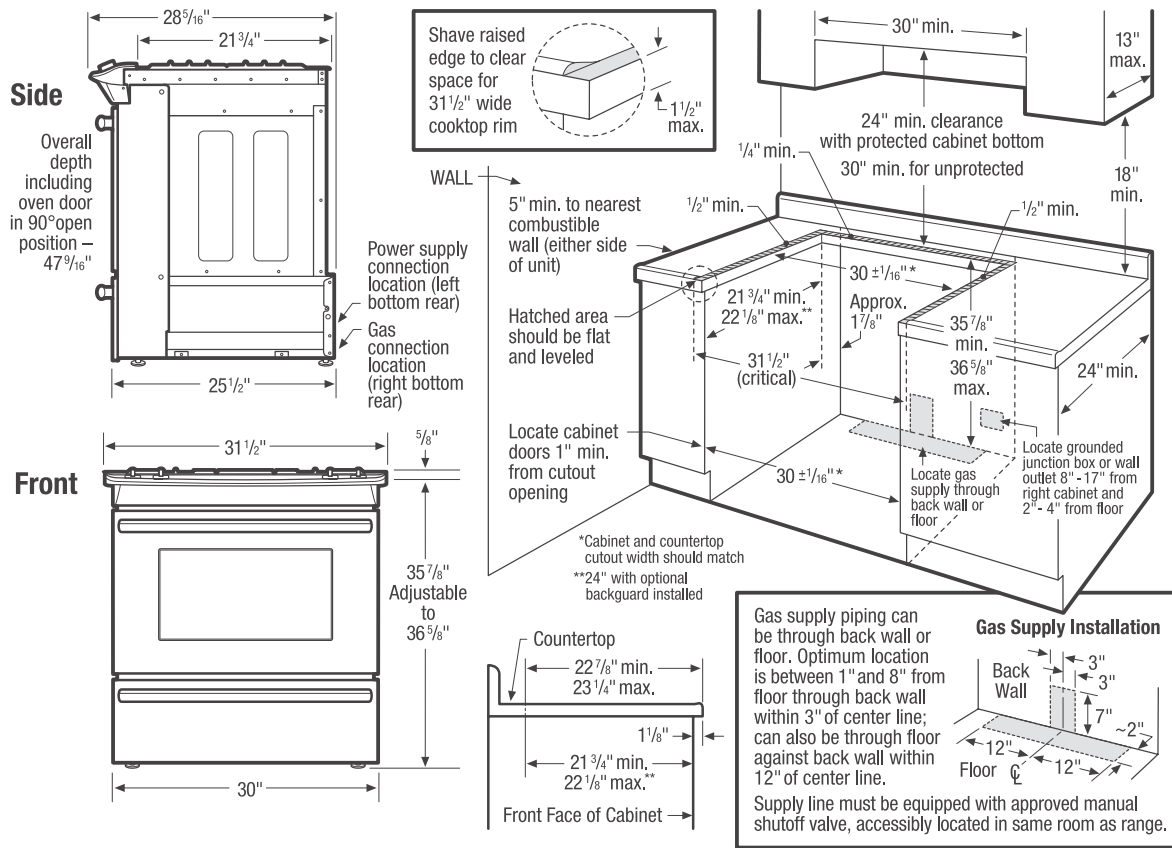
¹When properly installed, this model is A.D.A.-qualified based on the United States Access Board's A.D.A./A.B.A. Accessibility Guidelines and the Department of Justice's 2010 A.D.A. Standards for Accessible Design.

²For use on adequately wired 120V, dedicated circuit having 2-wire service with a separate ground wire. Appliance must be grounded for safe operation.

Accessories information available on the web at [frigidaire.com](http://frigidaire.com)

**FRIGIDAIRE**

USA • 10200 David Taylor Drive • Charlotte, NC 28262 • 1-800-FRIGIDAIRE • [frigidaire.com](http://frigidaire.com)  
CANADA • 5855 Terry Fox Way • Mississauga, ON L5V 3E4 • 1-800-265-8352 • [frigidaire.ca](http://frigidaire.ca)



**Slide-In Range Specifications**

- Product Shipping Weight (approx.) - 250 Lbs.
- Voltage Rating - 120V/60 Hz/15 Amps
- Connected Load (kW Rating) @ 120 Volts = 1.2kW (For use on adequately wired 120V, dedicated circuit having 2-wire service with a separate ground wire. Appliance must be grounded for safe operation.)
- Amps @ 120V = 10 Amps
- Always consult local and national electric and gas codes.
- Make sure wall coverings around range can withstand heat generated by range.
- Linoleum or any other synthetic floor covering located beneath range, must be capable of withstanding minimum heat of 90°F above room temperature without shrinking, warping or discoloring. Insulating pad or 1/4"-thick plywood required between range and a carpeted floor.
- Do not obstruct flow of combustion air at oven vent nor around base or beneath lower front panel of range. Range requires fresh air for proper burner combustion.
- Range ships with 3/4" factory regulator.
- LP Gas Conversion Kit supplied.
- Gas supply piping can be through back wall or floor. Optimum location is between 1" and 8" from floor through back wall within 3" of center line; can also be through floor against back wall within 12" of center line. Supply line must be equipped with approved manual shutoff valve, accessibly located in same room as range.
- Countertop MUST be level in all directions and adjustable range height at least 1/16" greater than tallest cabinet height, to ensure metal rangetop flange will fit properly on countertop edge.
- When installing optional Backguard Kit, cutout depth of 21-3/4" minimum/22-1/8" maximum needs increased to 24".
- Overhead cabinetry should not exceed a 13" maximum depth.
- Absolute minimum horizontal distance between overhead cabinets installed to either side of appliance must be no less than maximum width of appliance.

- Allow 24" minimum clearance between rangetop and bottom of cabinet when bottom of wood or metal cabinet is protected by not less than 1/4" flame-retardant millboard covered with not less than No. 28 MSG sheet steel, 0.015" stainless steel, 0.024" aluminum or 0.020" copper. Allow 30" minimum clearance when cabinet is unprotected.
- Allow 5" minimum clearance from edge of rangetop to nearest combustible wall on either side of unit.
- To reduce risk of fire when using overhead cabinetry, install range hood that projects horizontally a recommended minimum of 5" beyond bottom of cabinets.

**Countertop Preparation**

- Rangetop's side flanges overlap countertop cutout edges - for detailed preparation instructions, refer to product installation guide on the web.
- **Flat Square-Finish Countertops** - require no preparation since rangetop's flange lays directly on countertop edge.
  - **Formed Front-Edged Countertops** - require front molded edge to be shaved flat 3/4" from each front corner of opening.
  - **Tile Countertops** - may need trim cut back 3/4" from each front corner of opening and/or rounded edge flattened.
  - For existing cutout width greater than 30-1/16" reduce the 3/4" overlap dimension; for cutout width of 29", replace actual side trim panels with smaller side trim panels, available with optional Side Trim Kit (refer to detailed kit installation instructions).

**Note:** For planning purposes only. Refer to Product Installation Guide on the web at [frigidaire.com](http://frigidaire.com) for detailed instructions.

**Optional Accessories**

- Rear Filler Kit: Black - (PN# 901193-9010).
- Side Panel Kit: Black - (PN# 903074-9010).
- Backguard Kit: Black - (PN# 903046-9010).
- Side Trim Kit: Black - (PN# 903075-9010).









Use these dimensions and clearance instructions for planning purposes only. For detailed installation instructions, refer to installation guide, packed with product, or on the web at frigidaire.com.

